



SIGMA I

Significant savings

The next step of the Sigma I evolution cleverly combines the advantages of a single-post system with the cost savings of galvanized steel beams. The steel profiles can be coated according to the requirements of the specific corrosion class. Coupled with extensive component pre-assembly and the use of the Clickstone technology, Sigma I offers considerable cost savings, especially for large-scale solar plants. Multiple array configurations ensure an optimized and cost-efficient solution for project specific requirements.

Maximum lifespan

A fundamental feature of the Sigma I is its longevity. The special coating provides effective, self-healing and long-term protection. A significantly higher corrosion resistance is provided, which guarantees a maximum life span for the system.

Excellent adaptability

As a single post system, the Sigma I is perfectly suited for uneven terrain. Depending on the project soil requirements, various footing options are available: driven piles, earth screws, cast in concrete, or foot plates. Due to the adjustable connection between rafter and module rail, a slope of up to $\pm 10^\circ$ in East-West direction is possible. Ramming tolerances and uneven terrain can be compensated vertically and in North-South direction.

Environmentally friendly

The system is developed and produced under certified sustainability standards. In addition, the components are recyclable and easily disassembled.



Open Terrain



Framed Module



Unframed Module





Orientation Portrait

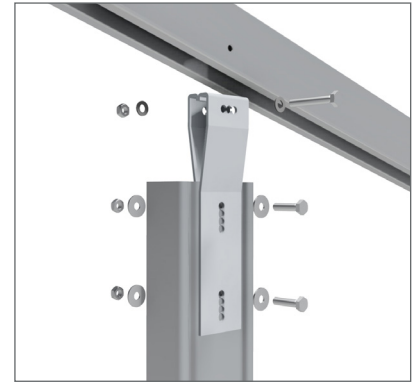


Orientation Landscape

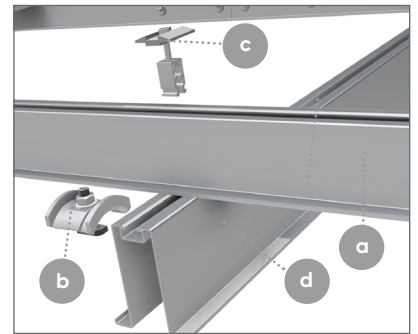


Application	Ground mount
Module types	All monofacial and bifacial options, framed or laminates Optimized bifaciality in accordance with module manufacturer requirements
Module layout	Multiple configurations, max. table length 40 m
Module orientation	Portrait/vertical, landscape/horizontal
Module inclination	According to project requirements
Ground clearance	Various
Ground slope	Up to 10° East/West (Option 1)
Post spacing	According to static calculation
Standards	Eurocode 1 – Actions on structures Eurocode 3 – Measurement and construction for steel construction
Supporting profiles	Steel (S 355/ S 350 GD)
Ramming posts	C-post (IPE post)
Small parts	Geomet-coated steel, hot-dip galvanized steel, Stainless steel (project specific V2A/V4A), Extruded aluminium (EN AW 6063 T66)
Bonding	Low-impedance resistance connections between the components
Warranty	10 years ¹

CONFIGURATION	MODULES	FOUNDATION	MODULE FASTENING
Sigma I 2 portrait	Framed, unframed & bifacial modules	Suitable for all types	Clamps, screws, rivets 
Sigma I 3 - 4 landscape			Clamps, screws 

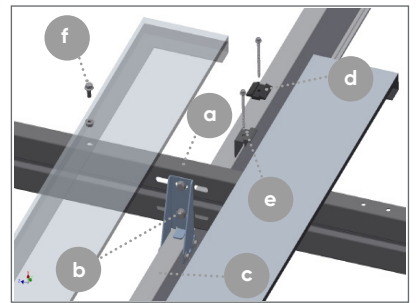


Upper adapter rafter



Sigma I - Option 1

- a Module support
- b Module support clamp
- c Module clamp with Clickstone
- d Rafter



Sigma I - Option 2

- a Module support
- b Cross rail connector
- c Rafter
- d Module clamp
- e Module end clamp
- f Bolted connection

¹ For terms and conditions please refer to the Mounting Systems GmbH warranty.